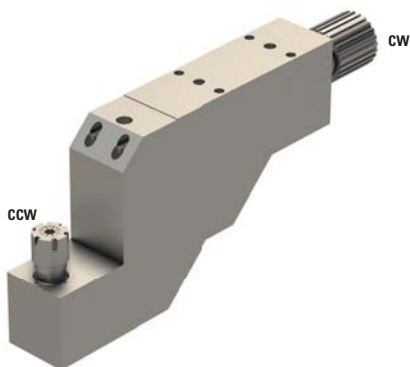


DE20-0011

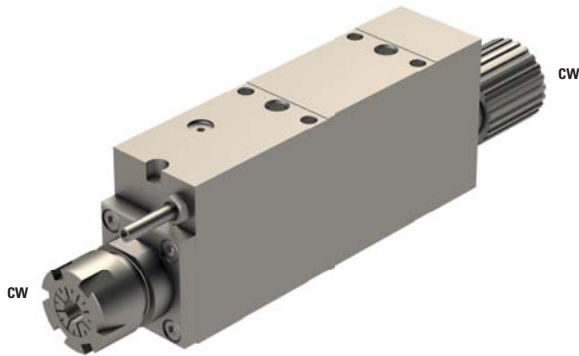


	ER16
	1:1
RPM max.	8'000
Machines Types	DECO 20
Note :	

Height : 130 mm
Total length : 290 mm



DE20-0001

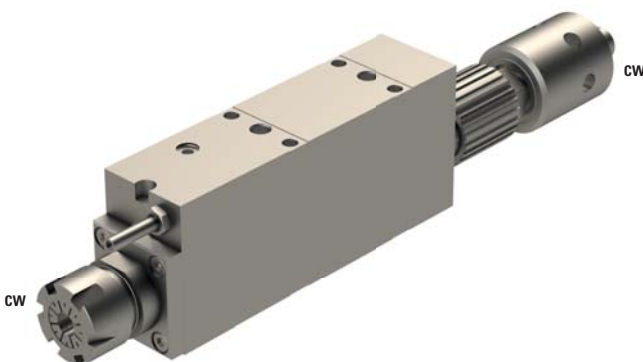


	ER25
	1:1
RPM max.	8'000
Machines Types	DECO 20
Note :	

Total length 258 mm



DE20-0001-HP

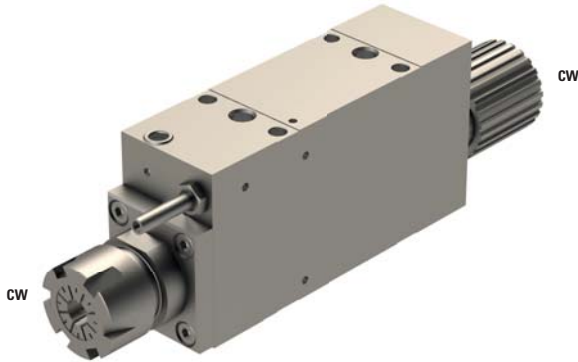


	ER25
	1:1
RPM max.	8'000
Machines Types	DECO 20
Note :	

Total length (without intern coolant system) 258mm



DE20-0002

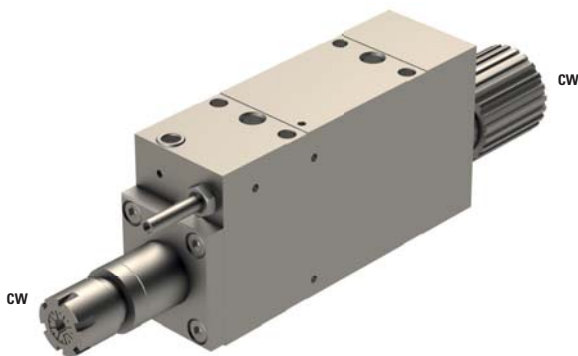


	ER25
	1:1
RPM max.	8'000
Machines Types	DECO 20
Note :	

Total length 228 mm



DE20-0002-CR



	ER20
	1:1
RPM max.	8'000
Machines Types	DECO 20
Note :	

Quick change TORNOS
Total length 187 mm



DE20-0002-HP



	ER25
	1:1
RPM max.	8'000
Machines Types	DECO 20
Note :	

Total length (without intern coolant system) 228 mm



DE20-0003

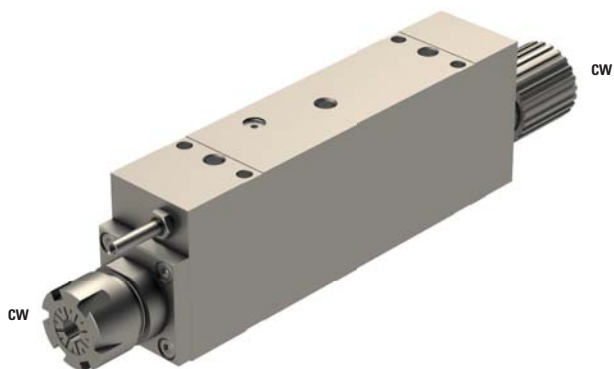


	ER25
	1:1
RPM max.	8'000
Machines Types	DECO 20
Note :	

Total length 292 mm



DE20-0003-IK

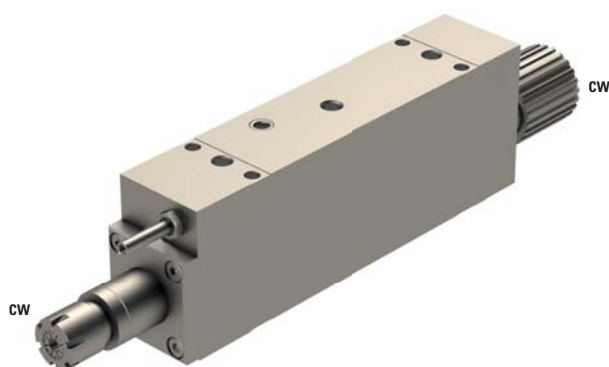


	ER25
	1:1
RPM max.	8'000
Machines Types	DECO 20
Note :	

Total length 292 mm




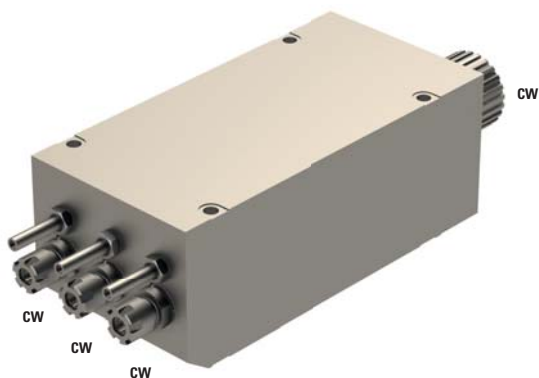
DE20-0003-CR



	ER20
	1:1
RPM max.	8'000
Machines Types	DECO 20
Note :	

Quick change TORNOS
Total length 277 mm

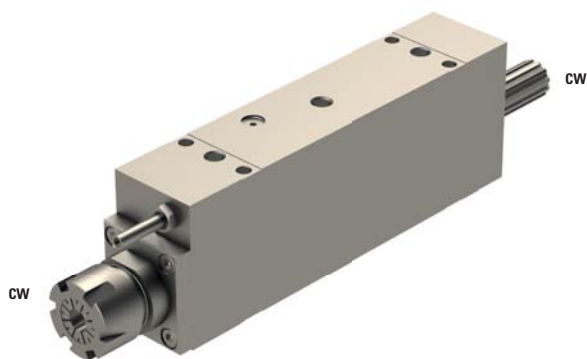


DE20-0010 3xER11 1:1**RPM max.** 8'000**Machines Types** DECO 20**Note :**

Use 2 positions



DE20-0003-2X

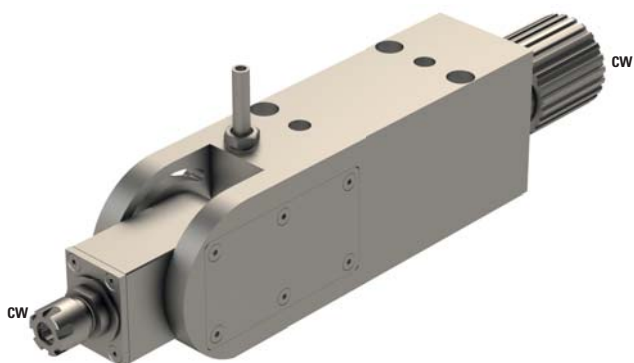



	ER11
	1:2
RPM max.	16'000
Machines Types	DECO 20
Note :	

Total length 277 mm



DE20-0004



	ER11
---	------

	1:1
---	-----

RPM max.	8'000
----------	-------

Machines Types	DECO 20
----------------	---------

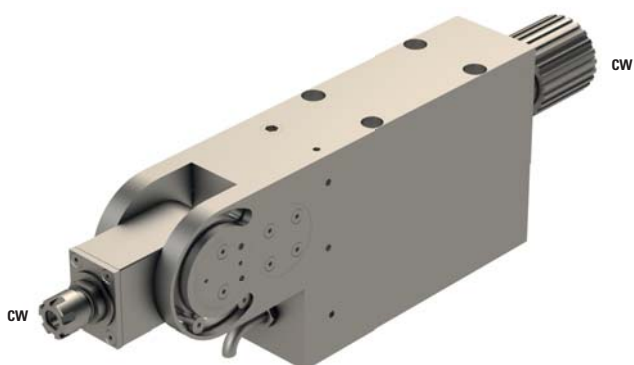
Note :	
--------	--


Adjustable 0°-90°



EXT

DE20-0005



	ER11
---	------

	1:1
---	-----

RPM max.	8'000
----------	-------

Machines Types	DECO 20
----------------	---------

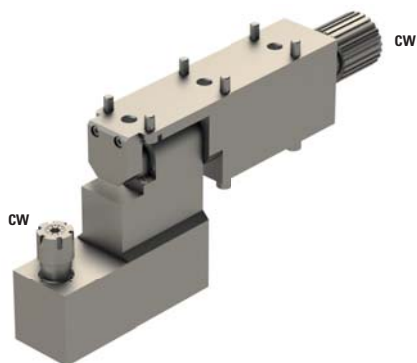
Note :	
--------	--

Adjustable 0°-180°
Basis plat from 40 mm



EXT

DE20-0020

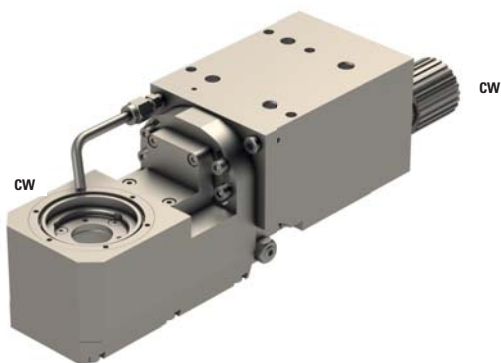


	ER16
	1:1
RPM max.	8'000
Machines Types	DECO 20
Note :	

Adjustable 0°-180°
Height : 130 mm
Total length : 290 mm



DE20-W15

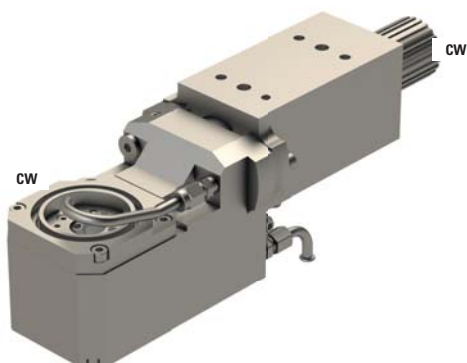


∅	-
⚙️	1:1
RPM max.	8'000
Machines Types	DECO 20
Note :	

Use 2 locations
 SCHWANOG 195415, Z=6
 GLOOR 501-0007, Z=6, Ø10mm
 UTILIS 139454, Z=9, Ø12mm



DE20-W15-II

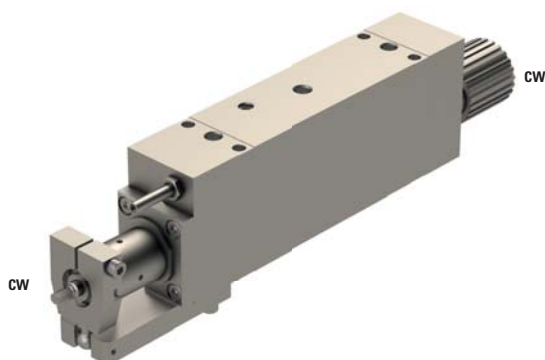


∅	-
⚙️	1:1
RPM max.	8'000
Machines Types	DECO 20
Note :	

Use 2 locations
 SCHWANOG 195415, Z=6
 GLOOR 501 0007, Z=6, Ø10mm
 UTILIS 139454, Z=9, Ø12mm



DE20-2160-L

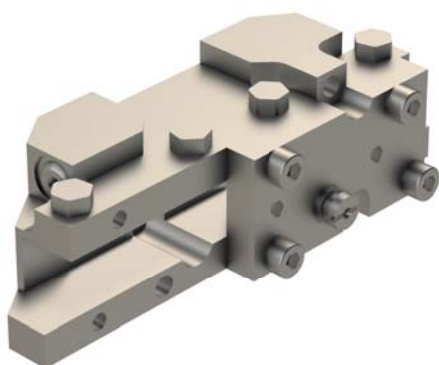


	8
	1:1
RPM max.	8'000
Machines Types	DECO 20
Note :	

Tool holder for broaching
Height : 130 mm
Total length : 319 mm



DE20-OF-010

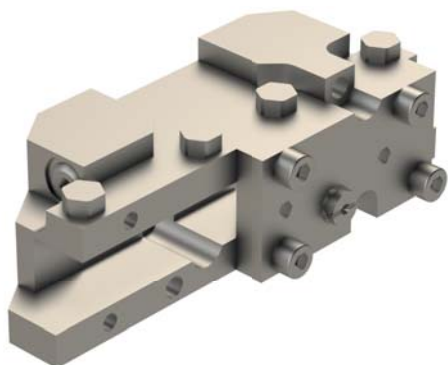


	16x16
Machines Types	DECO 20
Note :	

Height : 20 mm



DE20-OF-020



☑	16x16
---	-------

Machines Types	DECO 20
-----------------------	---------

Note :	
---------------	--

Height : 24 mm



DE20-OF-030



∅	20
---	----

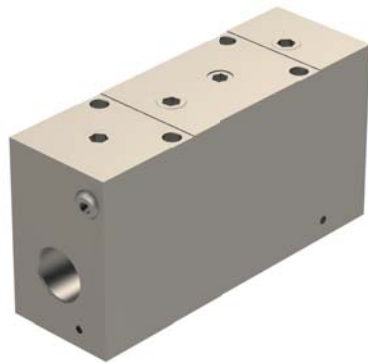
Machines Types	DECO 20
-----------------------	---------

Note :	
---------------	--

Height : 25 mm



DE20-OF-040



Ø 25

Machines Types DECO 20

Note :

Height : 25 mm

