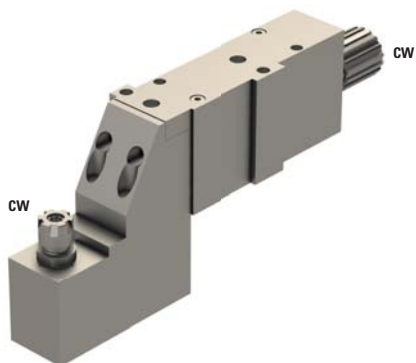


DE13-0011



	ER11
	1:1
RPM max.	8'000
Machines Types	DECO 13
Note :	

Distance Pin-Collet : 62 mm
Offset Pin-Collet : 0 mm



DE13-0012

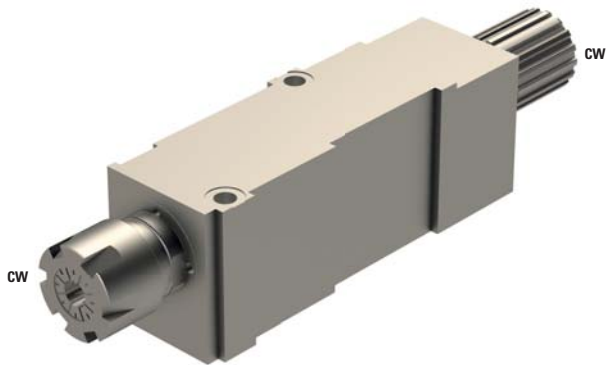


	ER11
	1:1.5
RPM max.	12'000
Machines Types	DECO 13
Note :	

Distance Pin-Collet : 62 mm
Offset Pin-Collet : 0 mm



DE13-0001



	ER20
	1:1
RPM max.	8'000
Machines Types	DECO 13
Note :	

Height 28 mm
Total length 193 mm



DE13-0001-H



	ER20
	1:1
RPM max.	8'000
Machines Types	DECO 13
Note :	

Height 25 mm + 3 mm + 10 mm
Total length 193 mm



DE13-0002



	ER20
	1:1
RPM max.	8'000
Machines Types	DECO 13
Note :	

Height 28 mm
Total length 180 mm



DE13-0002-H



	ER20
	1:1
RPM max.	8'000
Machines Types	DECO 13
Note :	

Height 25 mm + 3 mm + 10 mm
Total length 180 mm



DE13-0003



	ER20
	1:1
RPM max.	8'000
Machines Types	DECO 13
Note :	

Height 28 mm
Total length 218 mm



DE13-0003-H

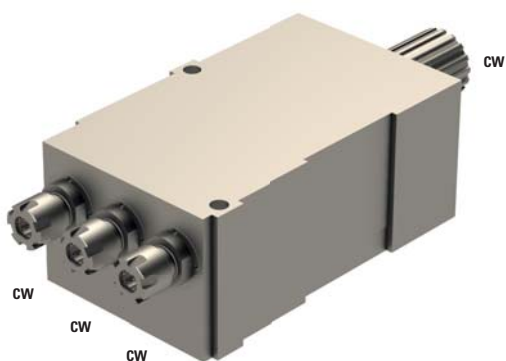


	ER20
	1:1
RPM max.	8'000
Machines Types	DECO 13
Note :	

Height 25 mm + 3 mm + 10 mm
Total length 218 mm



DE13-0010

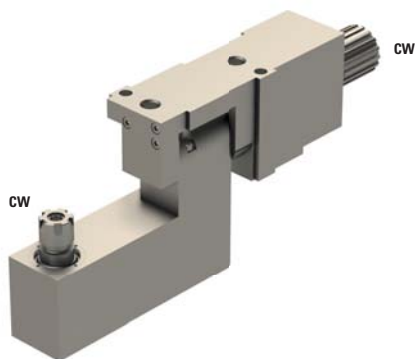


	3xER11
	1:1
RPM max.	8'000
Machines Types	DECO 13
Note :	

Height 25 mm + 3 mm + 10 mm
Total length 183 mm
Offset Pin-Collet on the middle : 1 mm



DE13-0020



	ER11
	1:1
RPM max.	8'000
Machines Types	DECO 13
Note :	

Adjustable 0°-180°
 Distance Pin-Collet : 62 mm
 Offset Pin-Collet : 0 mm
 Height : 105 mm



DE13-0041

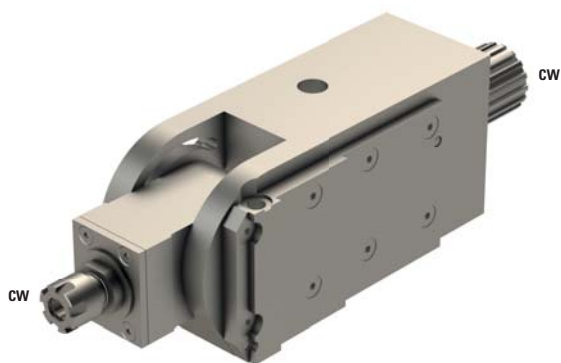


	ER11
	1:1
RPM max.	8'000
Machines Types	DECO 13
Note :	

Adjustable 0°-90°
 Use 2 positions




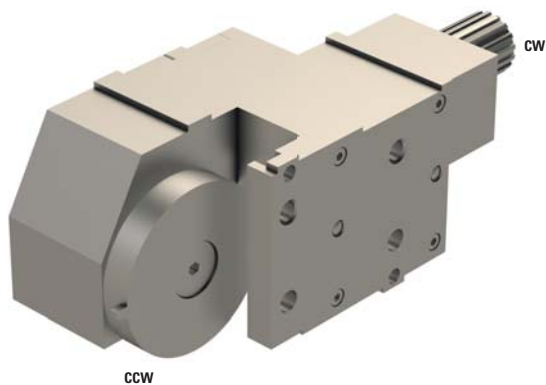
DE13-0042



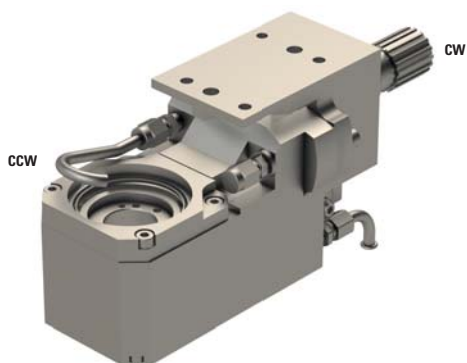
	ER11
	1:1
RPM max.	8'000
Machines Types	DECO 13
Note :	

Adjustable -13° to 90°
Use 2 positions



DE13-0015 16 1:1**RPM max.** 8'000**Machines Types** DECO 13**Note :**Use 2 positions
Max. tool Ø80 mm

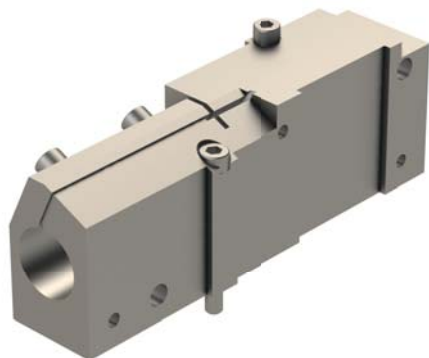
DE13-W15



	-
	1:1
Max. RPM	8'000
Machines Types	DECO 13
Note :	

Angle $\pm 15^\circ$
 Use 2 locations
 GLOOR 501-0004, Z=6, $\varnothing 12\text{mm}$
 GLOOR 501-0007, Z=6, $\varnothing 10\text{mm}$
 UTILIS 139823, Z=9, $\varnothing 12\text{mm}$



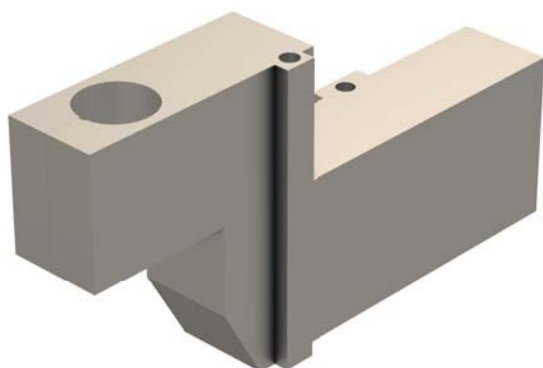
DE13-0060

Ø	25
----------	----

Machines Types	DECO 13
-----------------------	---------

Note :

For high frequenz spindle

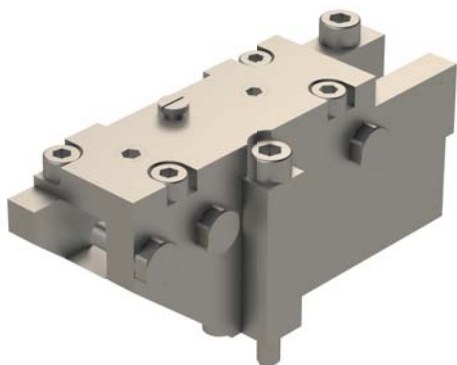
**DE13-0050**

Ø	25
----------	----

Machines Types	DECO 13
-----------------------	---------

Note :For high frequenz spindle
Distance Pin-Ø : 52 mm

DE13-GTF-010



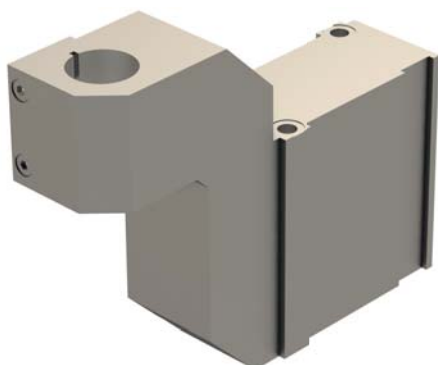
☑ 12x12

Machines Types DECO 13

Note :



DE13-HF-220



∅ 22

Machines Types DECO 13

Note :

For high frequenz spindle
Distance Pin-∅ : 62 mm



DE13-OF-030

∅	20
----------	----

Machines Types	DECO 13
-----------------------	---------

Note :

For high frequency spindle
Distance Pin-∅ : 62 mm

