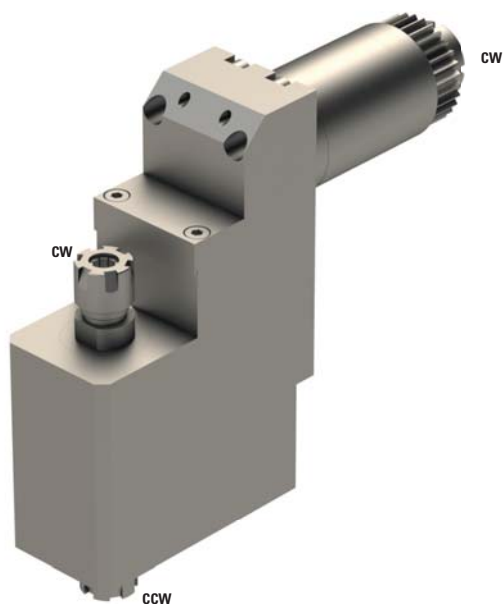



E20-DE-1111



	2xER11
---	--------

	1:1
---	-----

RPM max.	6'000
-----------------	-------

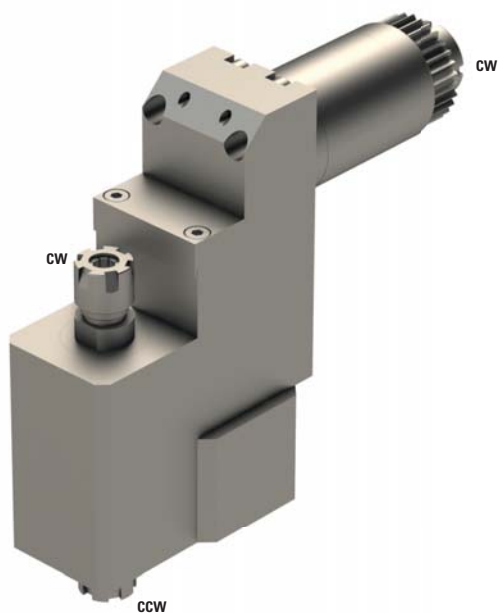
Machines Types


ECAS-12
 ECAS-20
 SR-20J
 SR-20JN
 SR-20RIII
 SR-20RII
 SR-20RIV
 SW-20
 SB-12
 SB-20R

Note :



E20-DS-2222



	2xER11
---	--------

	1:2
---	-----

RPM max.	5'000
-----------------	-------

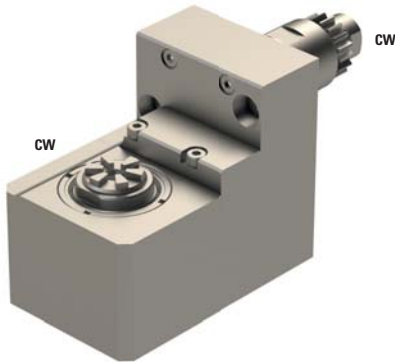
Machines Types


ECAS-12
 ECAS-20
 SR-20J
 SR-20JN
 SR-20RIII
 SR-20RII
 SR-20RIV
 SW-20
 SB-12
 SB-20R

Note :



SR20J-RSC-007



	ER11
---	------

	1:1
---	-----

RPM max.	8'000
----------	-------

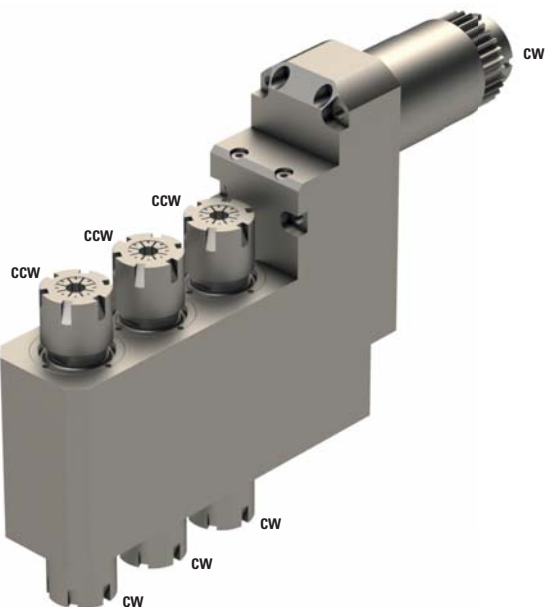
Machines Types


ECAS-12
 ECAS-20
 SB-12
 SB-20R
 SR-10J
 SR-20J
 SR-20JN
 SR-20RIII
 SR-20RII
 SR-20RIV
 SR-32J
 SR-32JN
 SV-20R
 SW-12RII

Note :



SR20J-GSE-2310



	3xER16+3xER16
---	---------------

	1:1
---	-----

RPM max.	8'000
----------	-------

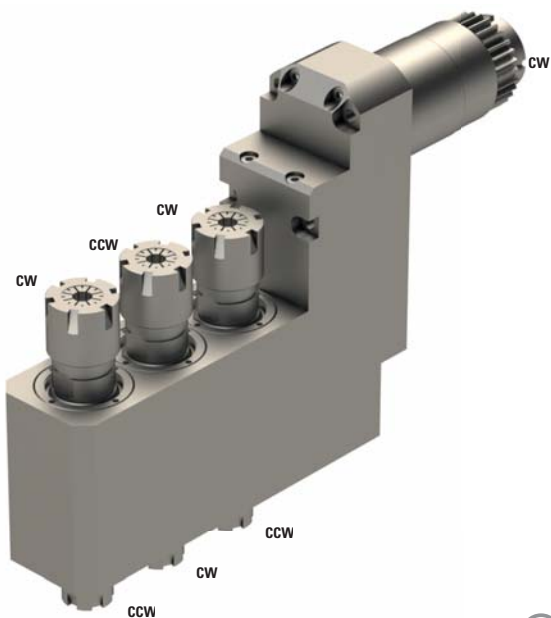
Machines Types


SB-12
 SB-20R
 SR-20J
 SR-20JN
 SR-20RIII
 SR-20RII
 SR-20RIV

Note :



SR20J-GSE-3710



 3xER16+3xER11

 1:1


RPM max. 8'000

Machines Types
SB-12
SB-20R
SR-20J
SR-20JN
SR-20RIII
SR-20RII
SR-20RIV

Note :

E20-GSE-110



	ER16
---	------

	1:1
---	-----

RPM max.	8'000
-----------------	-------

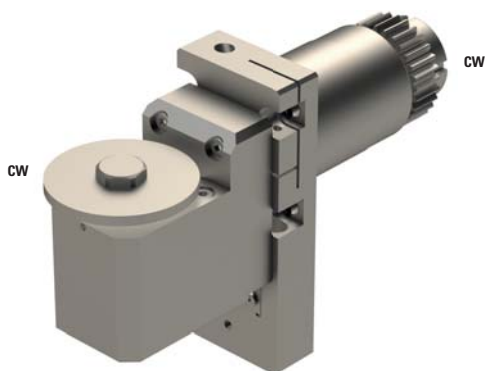
Machines Types


ECAS-12
 ECAS-20
 SB-12
 SB-20B
 SR10J
 SR-20J
 SR-20JN
 SR-20RIII
 SR-20RII
 SR-20RIV
 SR-32J
 SR-32JN
 SW-12RII

Note :



SB-GSP-218



 8

 1:1

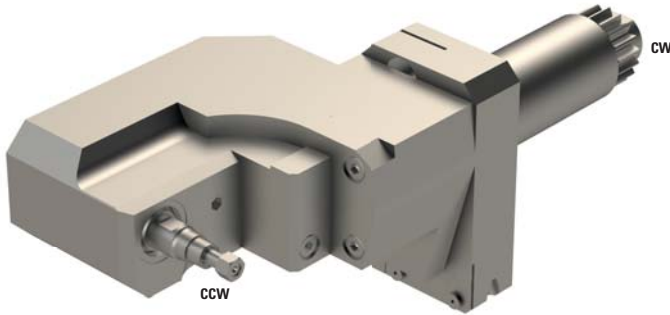
RPM max. 8'000


Machines Types SB16-R
SB20-R

Note :

Position T33-34-35
Adjustable $\pm 10^\circ$



SW12-GSH-045

 3.5+4.5

 1:1

RPM max. 8'000

Machines Types SW12-R11

Note :

Position T900
Position T800 will be bloqued
Adjustable +15°/-3°

