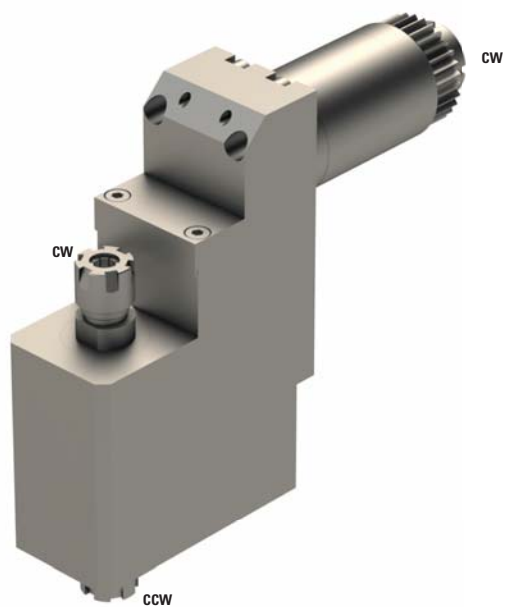



E20-DE-1111



 2xER11

 1:1

RPM max. 6'000

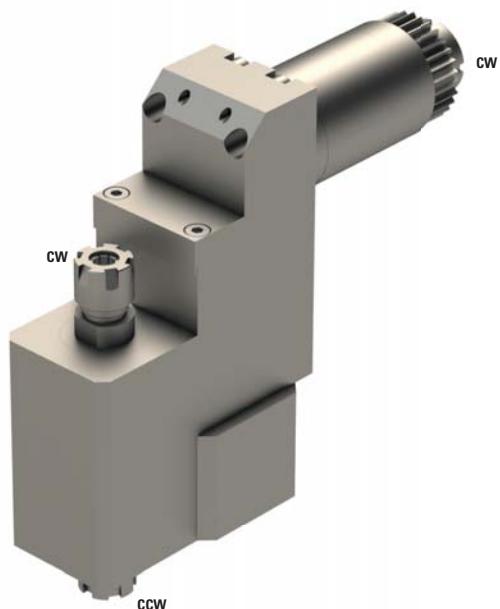
Machines Types


ECAS-12
ECAS-20
SR-20J
SR-20JN
SR-20RIII
SR-20RII
SR-20RIV
SW-20
SB-12
SB-20R

Note :



E20-DS-2222



 2xER11

 1:2

RPM max. 5'000

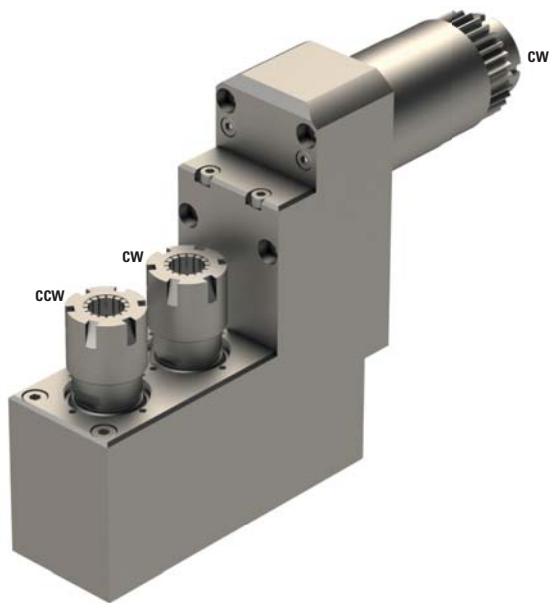
Machines Types



ECAS-12
ECAS-20
SR-20J
SR-20JN
SR-20RIII
SR-20RII
SR-20RIV
SW-20
SB-12
SB-20R

Note :



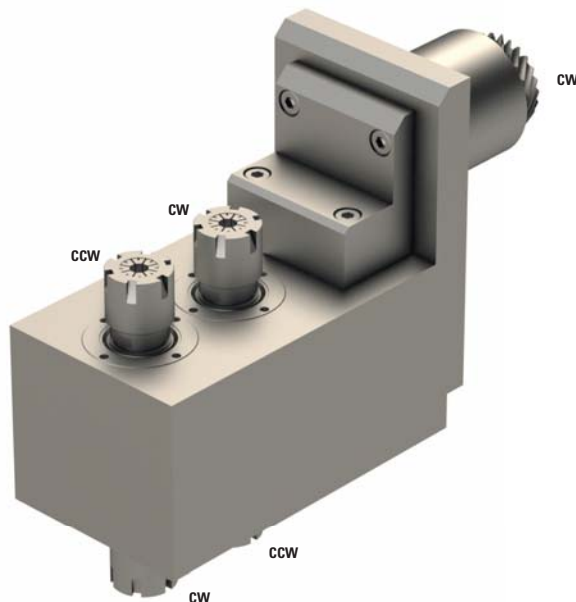
E20-GSE-210





	2xER16
	1:1
RPM max.	8'000
Machines Types	ECAS-12 ECAS-20 SR-20J SR-20JN SR-20RIII SR-20RII SR-20RIV SW-20
Note :	



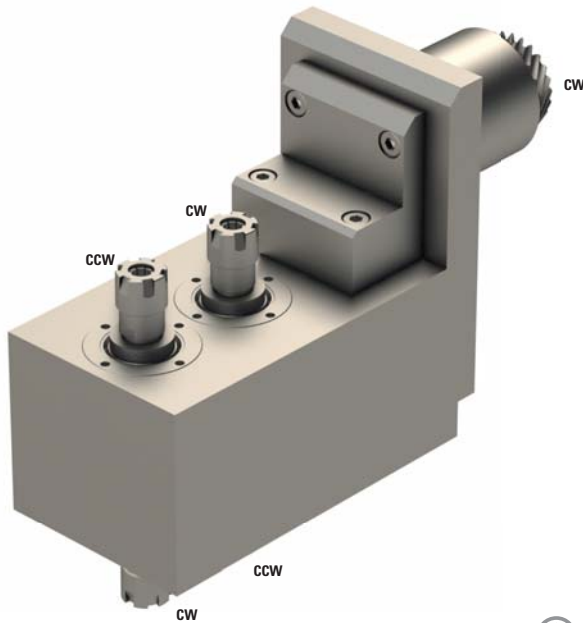
SV20-TSE-010





	2xER16+2xER16
	1:1
RPM max.	6'000
Machines Types	ECAS-20T ST-20 SV-20 SV-20R
Note :	



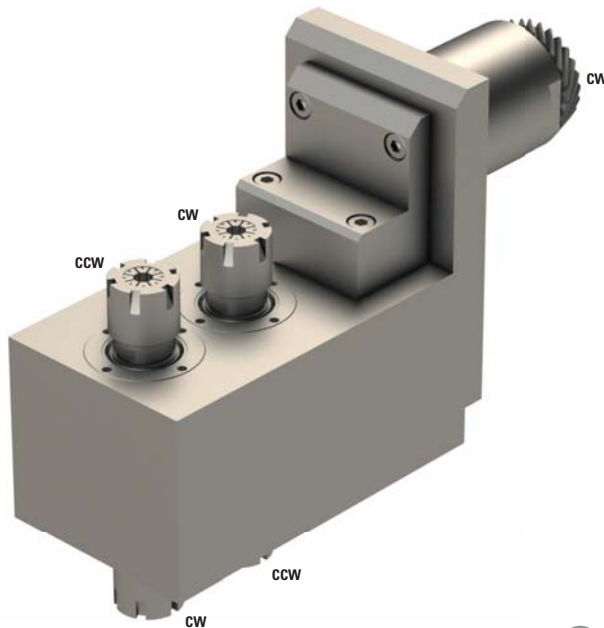
SV20-TSE-207




	2xER11+2xER11
	1:1
RPM max.	6'000
Machines Types	ECAS-20T ST-20 SV-20 SV-20R
Note :	



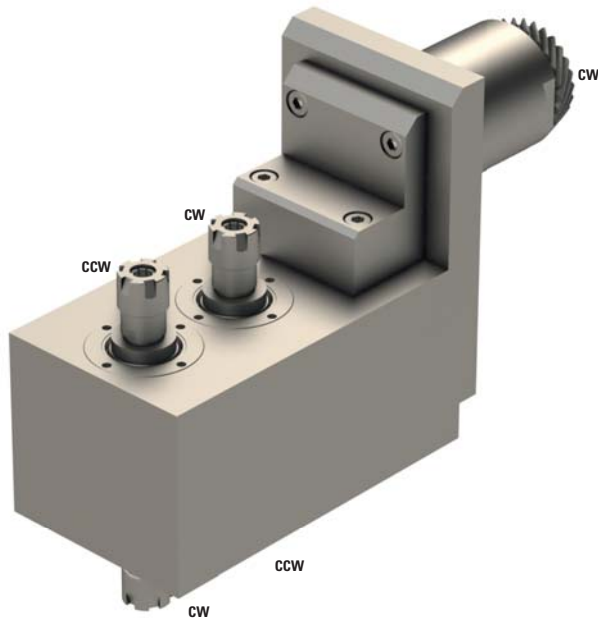
SV32-TSE-010



	2xER16+2xER16
	1:1
RPM max.	6'000
Machines Types	ECAS-32T SV-38R
Note :	



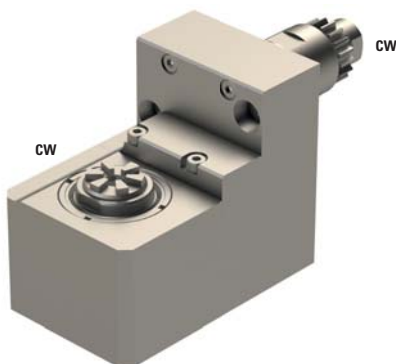
SV32-TSE-207





	2xER11+2xER11
	1:1
RPM max.	6'000
Machines Types	ECAS-32T SV-38R
Note :	



SR20J-RSC-007





	ER11
	1:1
RPM max.	8'000
Machines Types	ECAS-12 ECAS-20 SB-12 SB-20R SR-10J SR-20J SR-20JN SR-20RIII SR-20RII SR-20RIV SR-32J SR-32JN SV-20R SW-12RII
Note :	



E20C-110-K





	ER16
	1:1
RPM max.	6'000
Machines Types	ECAS-32T ST-38 SV-32 SV-38R
Note :	



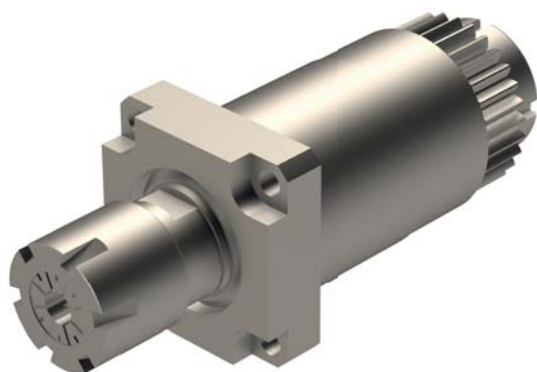
E20C-110-IK




	ER16
	1:1
RPM max.	6'000
Machines Types	ECAS-32T ST-38 SV-32 SV-38R
Note :	



E20-GSC-110



	ER16
---	------

	1:1
---	-----

RPM max.	8'000
----------	-------

Machines Types


ECAS-12
 ECAS-20
 SR-20J
 SR-20JN
 SR-20RIII
 SR-20RII
 SR-20RIV
 SR-32J
 SR-32JN
 SV-12
 SV-20
 SV-32
 SV-32JII
 SW-20

Note :



E20-GSE-110



	ER16
---	------

	1:1
---	-----

RPM max.	8'000
----------	-------

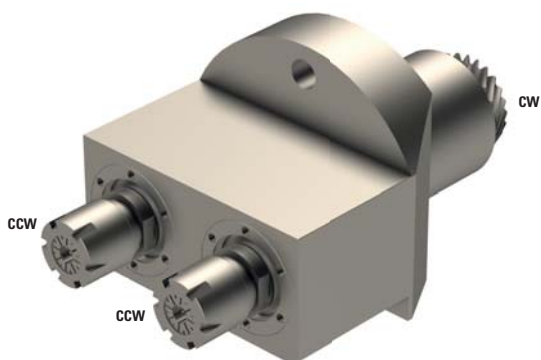
Machines Types

ECAS-12
 ECAS-20
 SB-12
 SB-20B
 SR10J
 SR-20J
 SR-20JN
 SR-20RIII
 SR-20RII
 SR-20RIV
 SR-32J
 SR-32JN
 SW-12RII

Note :



SV20-TSC-210

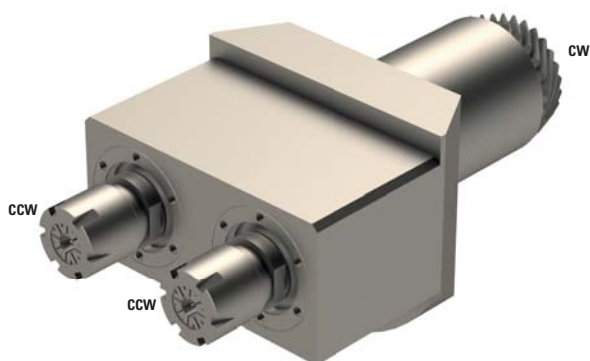


	2xER16
	1:1
RPM max.	8'000
Machines Types	ECAS-20T ST-20 SV-12 SV-20 SV-20R

Note :



SV32-TSC-210

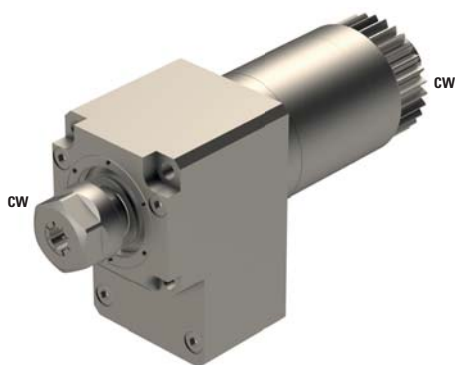


	2xER16
	1:1
RPM max.	6'000
Machines Types	ECAS-32T SV-32 SV-38 SV-38R

Note :



E20-GSC-3X



ER11



1:2.59

RPM max.

14'892.5

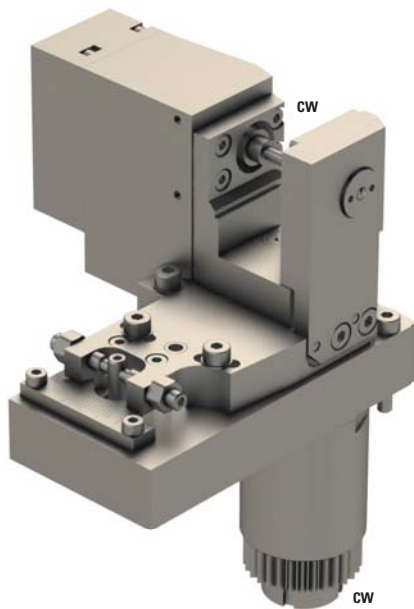
Machines Types


ECAS-20T
 SR-20J
 SR-20RII
 SR-20RIV
 SR-20RIII
 SV-12
 SV-20
 SV-32
 SV-32J
 SV-32JN

Note :



E20-RSH-035



 3.5

 1:1

RPM max. 5'000

Machines Types

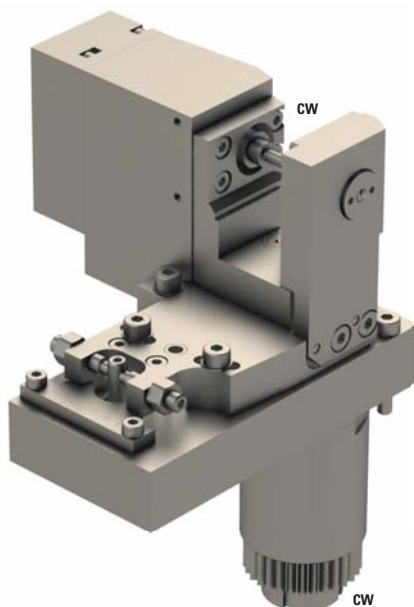
ECAS-12
ECAS-20
SR-20J
SR-20JN
SR-20RIII
SR-20RII
SR-32J
SR-32JN


Note :

Adjustable $\pm 5^\circ$



E20-RSH-080



 8

 1:1

RPM max. 5'000

Machines Types

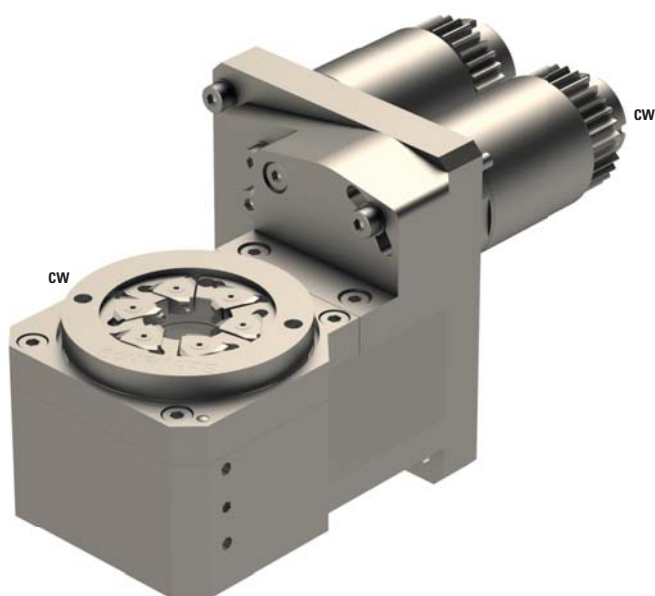
ECAS-12
ECAS-20
SR-20J
SR-20JN
SR-20RIII
SR-20RII
SR-32J
SR-32JN



Note :

Adjustable $\pm 5^\circ$



E20-W20



	-
	1:1
RPM max.	8'000

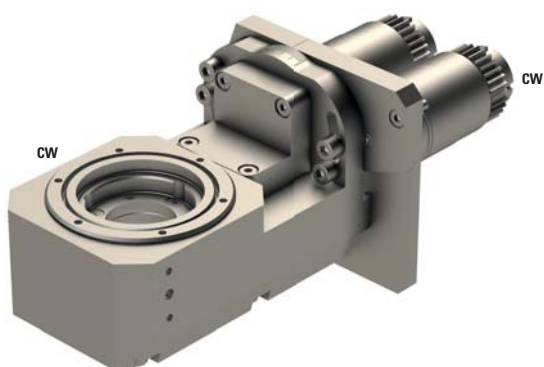
Machines Types	ECAS-12
	ECAS-20
	SR-20J
	SR-20JN
	SR-20RIII
	SR-20RII
	SR-32J
SR-32JN	
SW-20	


Note :

Adjustable $\pm 20^\circ$
 Need 2 positions
 SCHWANOG 218135, Z=5, $\varnothing 6\text{mm}$
 GLOOR 501-0003, Z=5, $\varnothing 6\text{mm}$



SR20J-W20



	-
	1:1
RPM max.	8'000

Machines Types	ECAS-12
	ECAS-20
	SR-20J
	SR-20JN
	SR-20RIII
	SR-20RII
	SR-32J
SR-32JN	
SW-20	

Note :

Use 2 Locations
 Adjustable $\pm 20^\circ$
 SCHWANOG 191884, Z=6, $\varnothing 12\text{mm}$



E20C-901-AR



Ø 3x32

⚙️ -

RPM max. -

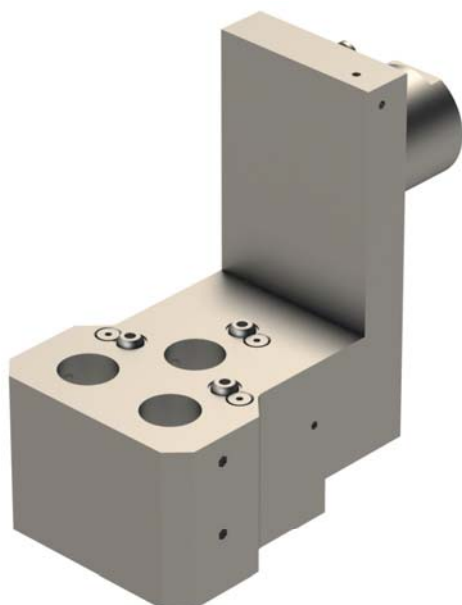
Machines Types

ECAS-12
ECAS-20
SR-20J
SR-20JN
SR-20RIII
SR-20RII
SR-20RIV
SW-20

Note :



SV20-901-AR



Ø 3xØ22

⚙️ -

RPM max. -

Machines Types

ECAS-20T
ST-20
SV-12
SV-20
SV-20R

Note :

