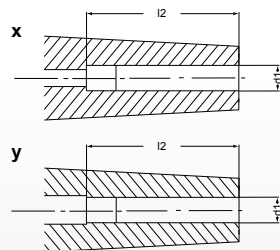
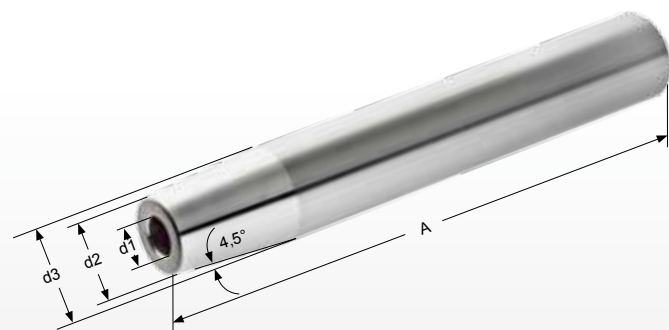


Cylindrical shrinking extensions

Schrumpfverlängerungen, zylindrisch

adapteur de frettage cylindrique

Prolunghe cilindriche per calettamento a caldo



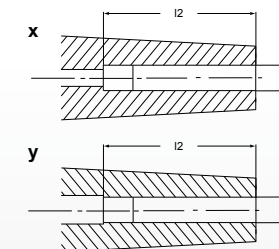
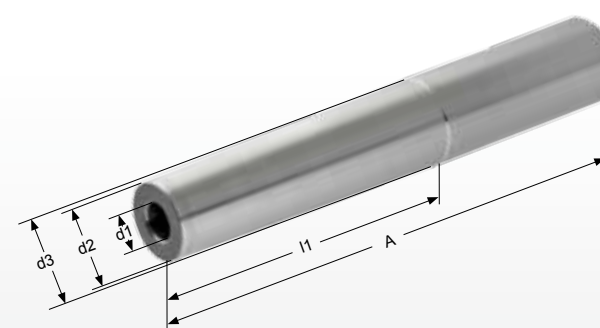
Bestell-Nr. order number No.	Ø d1	Ø d2	Ø d3	A	l1	l2	x	y
985-ZY1203160	3	8	12	160	-	12		x
985-ZY1603160	3	10	16	160	-	12		x
985-ZY1204160	4	8	12	160	-	16		x
985-ZY1604160	4	10	16	160	-	16		x
985-ZY1605160	5	10	16	160	-	20		x
985-ZY2005160	5	14	20	160	-	20		x
985-ZY1606160	6	10	16	160	-	36		x
985-ZY2006160	6	14	20	160	-	36		x
985-ZY2006250	6	14	20	250	-	36	x	
985-ZY2506250	6	14	25	250	-	36	x	
985-ZY2008160	8	14	20	160	-	36		x
985-ZY2008250	8	14	20	250	-	36	x	
985-ZY2508160	8	19	25	160	-	36		x
985-ZY2508250	8	19	25	250	-	36	x	
985-ZY2510160	10	20	25	160	-	41		x
985-ZY2510250	10	20	25	250	-	41	x	
985-ZY3210160	10	27	32	160	-	41		x
985-ZY2512160	12	20	25	160	-	47		x
985-ZY2512250	12	20	25	250	-	47	x	
985-ZY3212160	12	27	32	160	-	47		x
985-ZY3212250	12	27	32	250	-	47	x	
985-ZY2514160	14	22	25	160	-	47	x	
985-ZY2514250	14	22	25	250	-	47	x	
985-ZY3214160	14	27	32	160	-	47	x	
985-ZY2516160	16	22	25	160	-	50	x	
985-ZY3216160	16	27	32	160	-	50	x	
985-ZY3220160	20	27	32	160	-	52	x	

Cylindrical shrinking extensions

Schrumpfverlängerungen, zylindrisch

adapteur de frettage cylindrique

Prolunghe cilindriche per calettamento a caldo



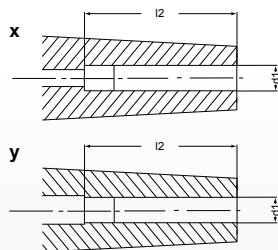
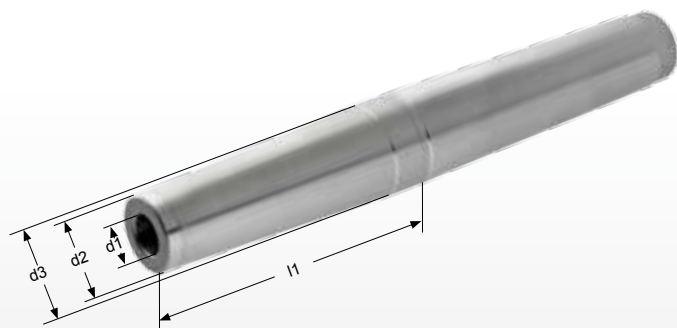
Bestell-Nr. order number No.	Ø d1	Ø d2	Ø d3	Ø d4	A	l1	l2	x	y
915-ZY120370	3	11	11,5	12	115	70	12		x
915-ZY1603120	3	11	15,5	16	168	120	12		x
915-ZY120470	4	11	11,5	12	115	70	16		x
915-ZY1604120	4	11	15,5	16	168	120	16		x
915-ZY160570	5	13	15,5	16	118	70	20	x	
915-ZY1605120	5	13	15,5	16	168	120	20	x	
915-ZY2005120	5	13	19,5	20	170	120	20	x	
915-ZY120670	6	11	11,5	12	115	70	32	x	
915-ZY160670	6	15	15,5	16	118	70	32	x	
915-ZY2006120	6	15	19,5	20	170	120	32	x	
915-ZY200870	8	17	19,5	20	120	70	35	x	
0915-ZY2008120	8	17	19,5	20	170	120	35	x	
915-ZY201070	10	19	19,5	20	120	70	39	x	
915-ZY2010120	10	19	19,5	20	170	120	39	x	
915-ZY201270	12	22	22	20	120	70	44	x	
915-ZY2012120	12	22	22	20	170	120	44	x	

Shrinking extensions, morse taper shank

Schrumpfverlängerungen, Morsekegelausführung

adaptateur cône morse, pour le frettage

Prolunghe cono Morse per calettamento a caldo



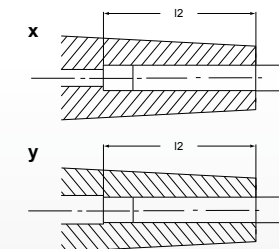
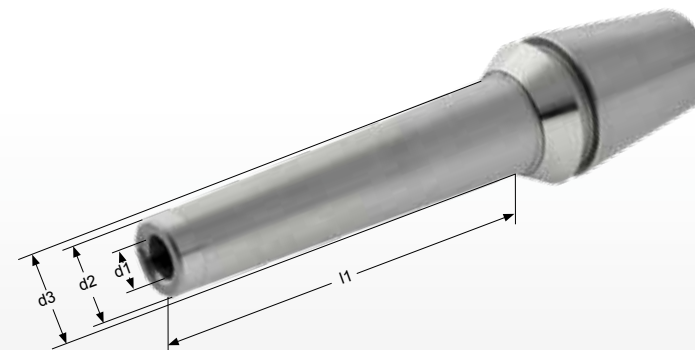
Bestell-Nr. order number No.	MK	Ø d1	Ø d2	Ø d3	A	l1	l2	x	y
915-MK200380	MK2	3	11	18	-	80	12		x
915-MK200480	MK2	4	11	18	-	80	16		x
915-MK200580	MK2	5	13	18	-	80	20		x
915-MK200640	MK2	6	15	18	-	40	36	x	
915-MK200670	MK2	6	15	18	-	70	36	x	
915-MK200840	MK2	8	17	18	-	40	36	x	
915-MK200870	MK2	8	17	18	-	70	36	x	
915-MK201040	MK2	10	18	18	-	40	41	x	
915-MK201070	MK2	10	18	18	-	70	41	x	
915-MK30660	MK3	6	15	24	-	60	36	x	
915-MK30680	MK3	6	15	24	-	80	36	x	
915-MK306100	MK3	6	15	24	-	100	36	x	
915-MK306150	MK3	6	15	24	-	150	36	x	
915-MK30860	MK3	8	17	24	-	60	36	x	
915-MK30875	MK3	8	17	24	-	75	36	x	
915-MK308100	MK3	8	17	24	-	100	36	x	
915-MK308150	MK3	8	17	24	-	150	36	x	
915-MK31045	MK3	10	19	24	-	45	41	x	
915-MK31075	MK3	10	19	24	-	75	41	x	
915-MK310100	MK3	10	19	24	-	100	41	x	
915-MK310150	MK3	10	19	24	-	150	41	x	
915-MK31240	MK3	12	22	24	-	40	47	x	
915-MK31270	MK3	12	22	24	-	70	47	x	
915-MK312100	MK3	12	22	24	-	100	47	x	
915-MK312150	MK3	12	22	24	-	150	47	x	
915-MK406100	MK4	6	15	31,5	-	100	36	x	
915-MK406150	MK4	6	15	31,5	-	150	36	x	
915-MK408100	MK4	8	17	31,5	-	100	36	x	
915-MK408150	MK4	8	17	31,5	-	150	36	x	
915-MK410100	MK4	10	19	31,5	-	100	41	x	
915-MK410150	MK4	10	19	31,5	-	150	41	x	
915-MK412100	MK4	12	22	31,5	-	100	47	x	
915-MK412150	MK4	12	22	31,5	-	150	47	x	
915-MK41650	MK4	16	26	31,5	-	50	50	x	
915-MK416100	MK4	16	26	31,5	-	100	50	x	
915-MK416150	MK4	16	26	31,5	-	150	50	x	

Shrinking extensions - spring chucks type

Schrumpfverlängerungen - Spannzangenausführung

adaptateur - système de frettage

Prolunghe per pinze tipo ER per calettamento a caldo



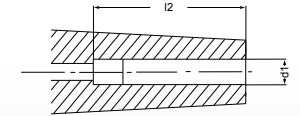
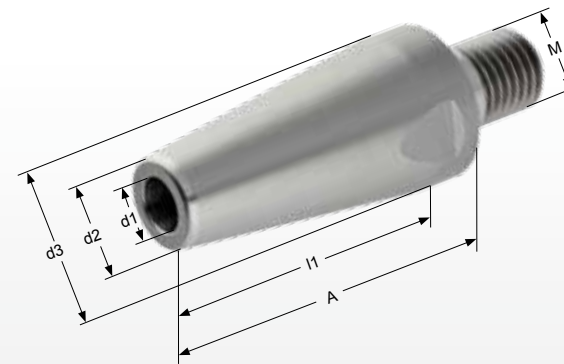
Bestell-Nr. order number No.	ER	Ø d1	Ø d2	Ø d3	A	l1	l2	x	y
915-ER200340	ER20	3	7,5	9,5	-	40	12		x
915-ER200360	ER20	3	7,5	10,5	-	60	12		x
915-ER200380	ER20	3	7,5	11,5	-	80	12		x
915-ER2003100	ER20	3	7,5	12,5	-	100	12		x
915-ER200440	ER20	4	8,5	10,5	-	40	16		x
915-ER200460	ER20	4	8,5	11,5	-	60	16		x
915-ER200480	ER20	4	8,5	12,5	-	80	16		x
915-ER2004100	ER20	4	8,5	13,5	-	100	16		x
915-ER200540	ER20	5	10	12	-	40	20	x	
915-ER200560	ER20	5	10	13	-	60	20	x	
915-ER200580	ER20	5	10	14	-	80	20	x	
915-ER200640	ER20	6	11	13	-	40	32	x	
915-ER200660	ER20	6	11	14	-	60	32	x	
915-ER200680	ER20	6	11	15	-	80	32	x	
915-ER320375	ER32	3	7,5	12	-	75	12		x
915-ER3203100	ER32	3	7,5	14	-	100	12		x
915-ER3203125	ER32	3	7,5	16	-	125	12		x
915-ER3203150	ER32	3	7,5	18	-	150	12		x
915-ER320475	ER32	4	8,5	13	-	75	16		x
915-ER3204100	ER32	4	8,5	15	-	100	16		x
915-ER3204125	ER32	4	8,5	17	-	125	16		x
915-ER3204150	ER32	4	8,5	19	-	150	16		x
915-ER320575	ER32	5	10	15	-	75	20	x	
915-ER3205100	ER32	5	10	17	-	100	20	x	
915-ER3205125	ER32	5	10	19	-	125	20	x	
915-ER3205150	ER32	5	10	21	-	150	20	x	
915-ER320675	ER32	6	11	17	-	75	32	x	
915-ER3206100	ER32	6	11	19	-	100	32	x	
915-ER3206125	ER32	6	11	21	-	125	32	x	
915-ER3206150	ER32	6	11	23	-	150	32	x	
915-ER320875	ER32	8	13	19	-	75	32	x	
915-ER3208100	ER32	8	13	21	-	100	32	x	

Shrinking extension for screw in type cutters

Schrumpfverlängerung-Einschraubausführung

mandrin de frettage avec filète intern

Prolunghe con filetto per calettamento a caldo



Bestell-Nr. order number No.	Ø d1	Ø d2	Ø d3	A	l1	l2	M
915 - M10 04 60	4	11	18	60	50	16	M10
915 - M10 06 60	6	12	18	60	50	36	M10
915 - M10 08 60	8	15	18	60	50	36	M10
915 - M10 10 60	10	17	18	60	50	41	M10
915 - M12 06 60	6	12	21	60	50	36	M12
915 - M12 08 60	8	15	21	60	50	36	M12
915 - M12 10 60	10	17	21	60	50	41	M12
915 - M12 12 60	12	20	21	60	50	47	M12
915 - M16 06 60	6	12	29	60	50	36	M16
915 - M16 08 60	8	15	29	60	50	36	M16
915 - M16 10 60	10	17	29	60	50	41	M16
915 - M16 12 60	12	20	29	60	50	47	M16
915 - M16 16 60	16	27	29	60	50	50	M16