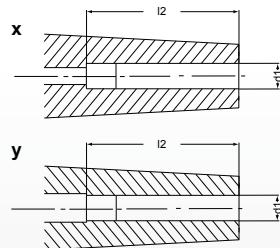
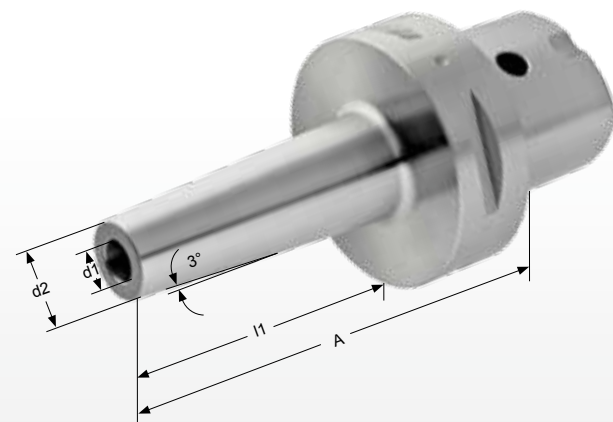


## Shrink fit chuck PSC-63, slim execution 3°

Schrumpffutter PSC-63, schlanke Ausführung 3°

Mandrin de frettage PSC-63, exécution 3°

Mandri per calettamento a caldo PSC-63, rastremazione 3°



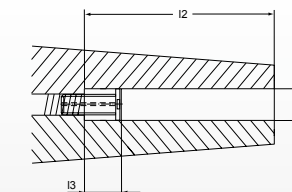
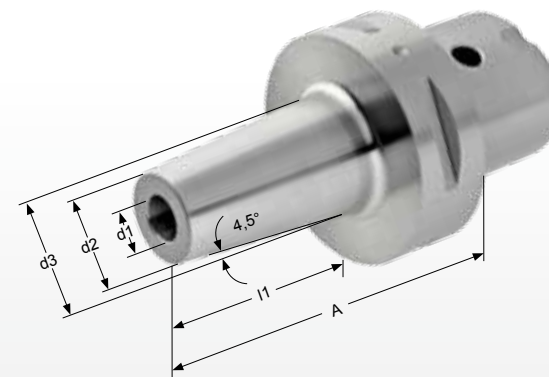
Bestell-Nr. order number No.	PSC	Ø d1	Ø d2	Ø d3	A	l1	l2	x	y	
915 - PSC630450	63	4	11	-	72	50	16		x	G2,5/25.000 oder/or U<1gmm
915 - PSC630475	63	4	11	-	97	75	16		x	
915 - PSC6304100	63	4	11	-	122	100	16		x	
915 - PSC630650	63	6	15	-	72	50	36		x	
915 - PSC630675	63	6	15	-	97	75	36		x	
915 - PSC6306100	63	6	15	-	122	100	36		x	
915 - PSC630850	63	8	17	-	72	50	36		x	
915 - PSC630875	63	8	17	-	97	75	36		x	
915 - PSC6308100	63	8	17	-	122	100	36		x	
915 - PSC631050	63	10	19	-	72	50	41	x		
915 - PSC631075	63	10	19	-	97	75	41	x		
915 - PSC6310100	63	10	19	-	122	100	41	x		
915 - PSC631250	63	12	22	-	72	50	47	x		
915 - PSC631275	63	12	22	-	97	75	47	x		
915 - PSC6312100	63	12	22	-	122	100	47	x		

## Shrink fit chuck PSC-63, standard execution 4,5°, incl. length adjusting screw

Schrumpffutter PSC-63, standard Ausführung 4,5°, inkl. Längeneinstellschraube

Mandrin de frettage PSC-63, exécution 4,5°, vis de réglage inclus

Mandri per calettamento a caldo PSC-63, esecuzione standard 4,5°, inclusa vite per regolazione assiale



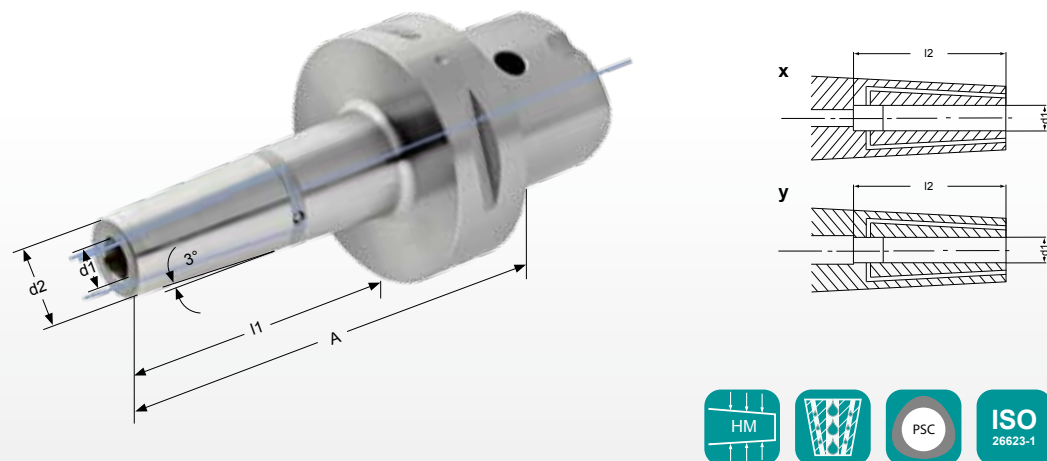
Bestell-Nr. order number No.	PSC	Ø d1	Ø d2	Ø d3	A	l1	l2	l3		
985 - PSC6303A80	63	3	11	-	80	58	12	10	-	G2,5/25.000 oder/or U<1gmm
985 - PSC6304A80	63	4	14	-	80	58	16	10	-	
985 - PSC6305A80	63	5	16	-	80	58	20	10	-	
985 - PSC6306A80	63	6	21	-	80	58	36	10	948-001	
985 - PSC6306A120	63	6	21	-	120	98	36	10	948-001	
985 - PSC6308A80	63	8	21	-	80	58	36	10	948-002	
985 - PSC6308A120	63	8	21	-	120	98	36	10	948-002	
985 - PSC6310A80	63	10	24	-	80	58	41	10	948-003	
985 - PSC6310A120	63	10	24	-	120	98	41	10	948-003	
985 - PSC6312A80	63	12	24	-	80	58	47	10	948-004	
985 - PSC6312A120	63	12	24	-	120	98	47	10	948-004	
985 - PSC6314A85	63	14	27	-	85	63	47	10	948-004	
985 - PSC6314A120	63	14	27	-	120	98	47	10	948-004	
985 - PSC6316A85	63	16	27	-	85	63	50	10	948-004	
985 - PSC6316A120	63	16	27	-	120	98	50	10	948-005	
985 - PSC6318A85	63	18	33	-	85	63	50	10	948-005	
985 - PSC6318A120	63	18	33	-	120	98	50	10	948-005	
985 - PSC6320A85	63	20	33	-	85	63	52	10	948-006	
985 - PSC6320A120	63	20	33	-	120	98	52	10	948-006	
985 - PSC6325A90	63	25	44	-	90	68	58	10	948-006	
985 - PSC6332A95	63	32	44	-	95	73	62	10	948-006	

## Shrink fit chuck PSC-63, slim execution 3° with 3 cooling jets Ø1mm

Schrumpffutter PSC-63, schlanke Ausführung 3° mit 3 Kühlkanälen Ø1mm

Mandrin de frettage PSC-63, exécution 3° avec 3 canal d'arrosage Ø1mm

Mandrini per calettamento a caldo PSC-63, rastremazione 3° con N°3 ugelli di adduzione Ø1mm



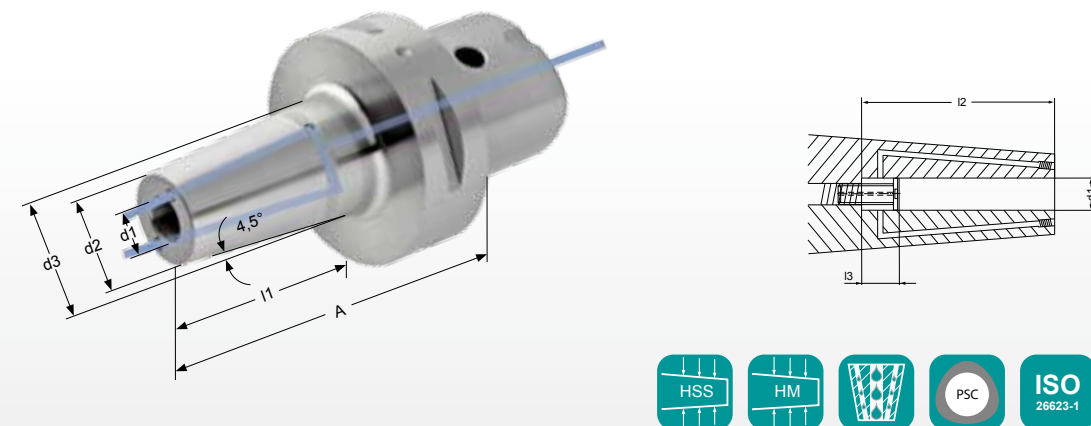
Bestell-Nr. order number No.	PSC	Ø d1	Ø d2	Ø d3	A	l1	l2	x	y	
996 - PSC630450	63	4	11	-	72	50	16		x	G2,5/25.000 oder/or U<1gmm
996 - PSC630475	63	4	11	-	97	75	16		x	
996 - PSC6304100	63	4	11	-	122	100	16		x	
996 - PSC630650	63	6	15	-	72	50	36		x	
996 - PSC630675	63	6	15	-	97	75	36		x	
996 - PSC6306100	63	6	15	-	122	100	36		x	
996 - PSC630850	63	8	17	-	72	50	36		x	
996 - PSC630875	63	8	17	-	97	75	36		x	
996 - PSC6308100	63	8	17	-	122	100	36		x	
996 - PSC631050	63	10	19	-	72	50	41	x		
996 - PSC631075	63	10	19	-	97	75	41	x		
996 - PSC6310100	63	10	19	-	122	100	41	x		
996 - PSC631250	63	12	22	-	72	50	47	x		
996 - PSC631275	63	12	22	-	97	75	47	x		
996 - PSC6312100	63	12	22	-	122	100	47	x		

## Shrink fit chuck PSC-63 execution 4,5° with 2 closeable cooling jets, including length adjusting screw

Schrumpffutter PSC-63 Ausführung 4,5° mit 2 verschließbaren Kühlkanälen, inkl. Längeneinstellschraube

Mandrin de frettage PSC-63, exécution 4,5° avec 2 canal d' arrosage oburables, vis de réglage inclus

Mandrini per calettamento a caldo PSC-63, rastremazione 4,5° con N°2 ugelli di adduzione otturabili, inclusa vite per regolazione assiale



Bestell-Nr. order number No.	PSC	Ø d1	Ø d2	Ø d3	A	l1	l2	l3		
995 - PSC6303A80	63	3	11	-	80	58	12	10	-	G2,5/25.000 oder/or U<1gmm
995 - PSC6304A80	63	4	14	-	80	58	16	10	-	
995 - PSC6305A80	63	5	16	-	80	58	20	10	-	
995 - PSC6306A80	63	6	21	-	80	58	36	10	948-001	
995 - PSC6306A120	63	6	21	-	120	98	36	10	948-001	
995 - PSC6308A80	63	8	21	-	80	58	36	10	948-002	
995 - PSC6308A120	63	8	21	-	120	98	36	10	948-002	
995 - PSC6310A80	63	10	24	-	80	58	41	10	948-003	
995 - PSC6310A120	63	10	24	-	120	98	41	10	948-003	
995 - PSC6312A80	63	12	24	-	80	58	47	10	948-004	
995 - PSC6312A120	63	12	24	-	120	98	47	10	948-004	
995 - PSC6314A85	63	14	27	-	85	63	47	10	948-004	
995 - PSC6314A120	63	14	27	-	120	98	47	10	948-004	
995 - PSC6316A85	63	16	27	-	85	63	50	10	948-004	
995 - PSC6316A120	63	16	27	-	120	98	50	10	948-005	
995 - PSC6318A85	63	18	33	-	85	63	50	10	948-005	
995 - PSC6318A120	63	18	33	-	120	98	50	10	948-005	
995 - PSC6320A85	63	20	33	-	85	63	52	10	948-006	
995 - PSC6320A120	63	20	33	-	120	98	52	10	948-006	
995 - PSC6325A90	63	25	44	-	90	68	58	10	948-006	
995 - PSC6332A95	63	32	44	-	95	73	62	10	948-006	