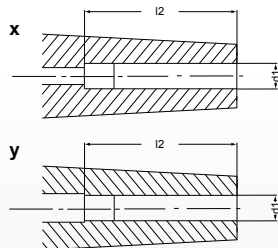
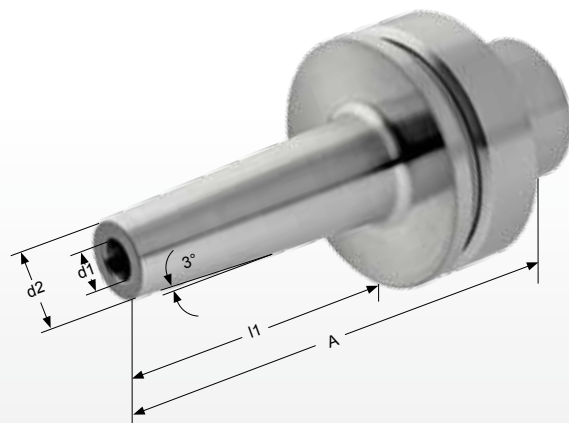


Shrink fit chuck HSK-F63, slim execution 3°

Schrumpffutter HSK-F63, schlanke Ausführung 3°

Mandrin de frettage HSK-F63, exécution 3°

Mandrini per calettamento a caldo HSK-F63, rastremazione 3°



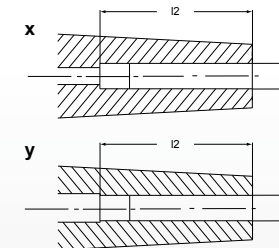
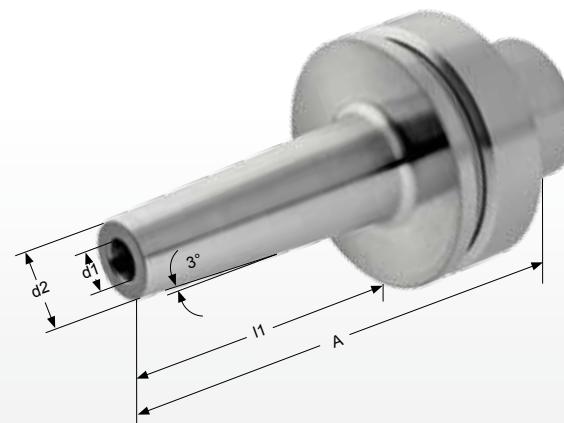
Bestell-Nr. order number No.	HSK	Ø d1	Ø d2	Ø d3	A	l1	l2	x	y	
915 - F630350	F63	3	11	-	76	50	12		x	G2,5/25.000 oder/or U<1gmm
915 - F630375	F63	3	11	-	101	75	12		x	
915 - F6303100	F63	3	11	-	126	100	12		x	
915 - F6303150	F63	3	11	-	176	150	12		x	
915 - F6303200	F63	3	11	-	226	200	12		x	
915 - F630450	F63	4	11	-	76	50	16		x	
915 - F630475	F63	4	11	-	101	75	16		x	
915 - F6304100	F63	4	11	-	126	100	16		x	
915 - F6304150	F63	4	11	-	176	150	16		x	
915 - F6304200	F63	4	11	-	226	200	16		x	
915 - F630550	F63	5	13	-	76	50	20	x		
915 - F630575	F63	5	13	-	101	75	20		x	
915 - F6305100	F63	5	13	-	126	100	20		x	
915 - F6305150	F63	5	13	-	176	150	20		x	
915 - F630650	F63	6	15	-	76	50	36	x		
915 - F630675	F63	6	15	-	101	75	36		x	
915 - F6306100	F63	6	15	-	126	100	36		x	
915 - F6306150	F63	6	15	-	176	150	36	x		
915 - F6306200	F63	6	15	-	226	200	36	x		
915 - F630850	F63	8	17	-	76	50	36	x		
915 - F630875	F63	8	17	-	101	75	36		x	
915 - F6308100	F63	8	17	-	126	100	36		x	
915 - F6308125	F63	8	17	-	151	125	36	x		
915 - F6308150	F63	8	17	-	176	150	36	x		
915 - F6308200	F63	8	17	-	226	200	36	x		
915 - F631050	F63	10	19	-	76	50	41	x		
915 - F631075	F63	10	19	-	101	75	41	x		
915 - F6310100	F63	10	19	-	126	100	41	x		
915 - F6310125	F63	10	19	-	151	125	41	x		
915 - F6310150	F63	10	19	-	176	150	41	x		
915 - F6310200	F63	10	19	-	226	200	41	x		
915 - F631250	F63	12	22	-	76	50	47	x		
915 - F631275	F63	12	22	-	101	75	47	x		
915 - F6312100	F63	12	22	-	126	100	47	x		
915 - F6312150	F63	12	22	-	176	150	47	x		
915 - F6312200	F63	12	22	-	226	200	47	x		

Shrink fit chuck HSK-F63, slim execution 3°

Schrumpffutter HSK-F63, schlanke Ausführung 3°

Mandrin de frettage HSK-F63, exécution 3°

Mandrini per calettamento a caldo HSK-F63, rastremazione 3°



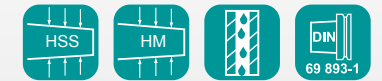
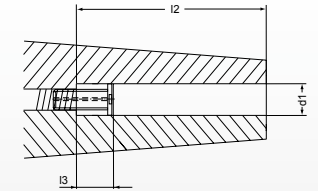
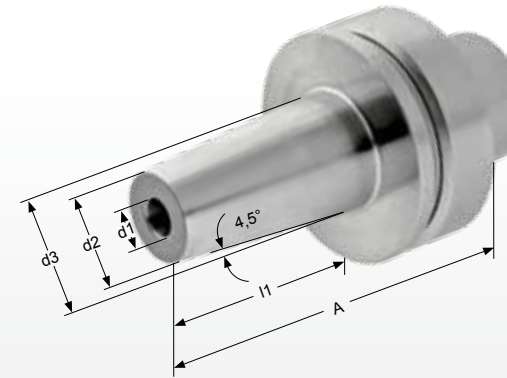
Bestell-Nr. order number No.	HSK	Ø d1	Ø d2	Ø d3	A	l1	l2	x	y	
915 - F631450	F63	14	24	-	76	50	47	x		G2,5/25.000 oder/or U<1gmm
915 - F6314100	F63	14	24	-	126	100	47	x		
915 - F631660	F63	16	27	-	86	60	50	x		
915 - F6316100	F63	16	27	-	126	100	50	x		
915 - F6316150	F63	16	27	-	176	150	50	x		
915 - F6316200	F63	16	27	-	226	200	50	x		
915 - F631865	F63	18	30	-	91	65	50	x		
915 - F6318100	F63	18	30	-	126	100	50	x		
915 - F632065	F63	20	33	-	91	65	52	x		
915 - F6320100	F63	20	33	-	126	100	52	x		
915 - F6320150	F63	20	33	-	176	150	52	x		
915 - F6320200	F63	20	33	-	226	200	52	x		
915 - F632560	F63	25	44	-	86	60	58	x		
915 - F6325100	F63	25	44	-	126	100	58	x		
915 - F6325150	F63	25	44	-	176	150	58	x		



Shrink fit chuck HSK-F63, standard execution 4,5°, incl. length adjusting screw

Schrumpffutter HSK-F63, standard Ausführung 4,5°, inkl. Längeneinstellschraube

Mandrin de frettage HSK-F63, exécution 4,5°, vis de réglage inclus

Mandrini per calettamento a caldo HSK-F63, esecuzione standard 4,5°, inclusa vite per regolazione assiale



Bestell-Nr. order number No.	HSK	Ø d1	Ø d2	Ø d3	A	l1	l2	l3		
985 - F6303A80	F63	3	11	15	80	54	12	-	-	
985 - F6304A80	F63	4	14	22	80	54	16	-	-	
985 - F6304A120	F63	4	14	22	120	94	16	-	-	
985 - F6305A80	F63	5	16	22	80	54	20	-	-	
985 - F6306A80	F63	6	21	27	80	54	36	10	948-001	
985 - F6306A120	F63	6	21	27	120	94	36	10	948-001	
985 - F6306A160	F63	6	21	27	160	134	36	10	948-001	
985 - F6308A80	F63	8	21	27	80	54	36	10	948-002	
985 - F6308A120	F63	8	21	27	120	94	36	10	948-002	
985 - F6308A160	F63	8	21	27	160	134	36	10	948-002	
985 - F6310A85	F63	10	24	32	85	59	41	10	948-003	
985 - F6310A120	F63	10	24	32	120	94	41	10	948-003	
985 - F6310A160	F63	10	24	32	160	134	41	10	948-003	
985 - F6312A90	F63	12	24	32	90	64	47	10	948-004	
985 - F6312A120	F63	12	24	32	120	94	47	10	948-004	
985 - F6312A160	F63	12	24	32	160	134	47	10	948-004	
985 - F6314A90	F63	14	27	34	90	64	47	10	948-004	
985 - F6316A95	F63	16	27	34	95	69	50	10	948-005	
985 - F6316A120	F63	16	27	34	120	94	50	10	948-005	
985 - F6316A160	F63	16	27	34	160	134	50	10	948-005	
985 - F6320A80	F63	20	33	42	80	54	52	10	948-006	
985 - F6320A100	F63	20	33	42	100	74	52	10	948-006	
985 - F6320A120	F63	20	33	42	120	94	52	10	948-006	
985 - F6320A160	F63	20	33	42	160	134	52	10	948-006	
985 - F6325A115	F63	25	44	53	115	89	58	10	948-006	
985 - F6332A120	F63	32	44	53	120	94	62	10	948-006	

G2,5/25.000
oder/or
U<1gmm